

# Introducing UV 1500 S2

\*Best for high definition  
catalogues

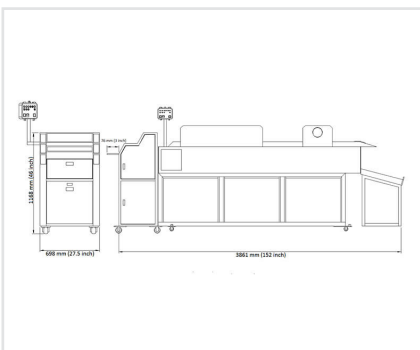
## The best in class flat binding.

### Coating & Curing machine

The UV 1500 S2 is the leading age of technology, it offers coating & curing with utmost precision, accuracy and consistency. This machine features two coaters for coating prints with two different chemicals simultaneously and a UV & IR chamber for thorough curing. This machine is specially designed to meet the specific market needs and does its job efficiently, yielding uniform coating.

#### Details

This two station facility gives an added advantage to the photo book manufacturers and digital print shops as they provide different features in a single book. UV 1500 S2 is suitable for all sorts of Offset and Digital prints like HP Indigo, Konica Minolta, Ricoh, Canon, Xerox, Kodak, Photo papers and more.



### Specifications

**Paper Size**  
510 mm

**Thickness of paper**  
150 GSM - 400 GSM

**Thickness of Synthetic paper**  
0.125mm - 0.2mm

**Speed**  
2000 Sheets / hour (A3)

**Air compressor**  
Air connection is required to run the thin paper



**Power Supply**  
3PH+N

**Maximum power consumption**  
6000W

**Machine dimension**  
3861 mm (L) X 698 mm (W) X 1168 mm (H)

**Weight**  
320 Kg



### Key Features

Two separate coaters, chemical tanks and channels for two different types of chemical;

Easy roller changing mechanism for obtaining varied creative texture;

Thickness control mechanism;

Easy to switch over the chemical connection lines;